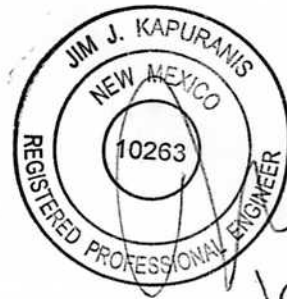
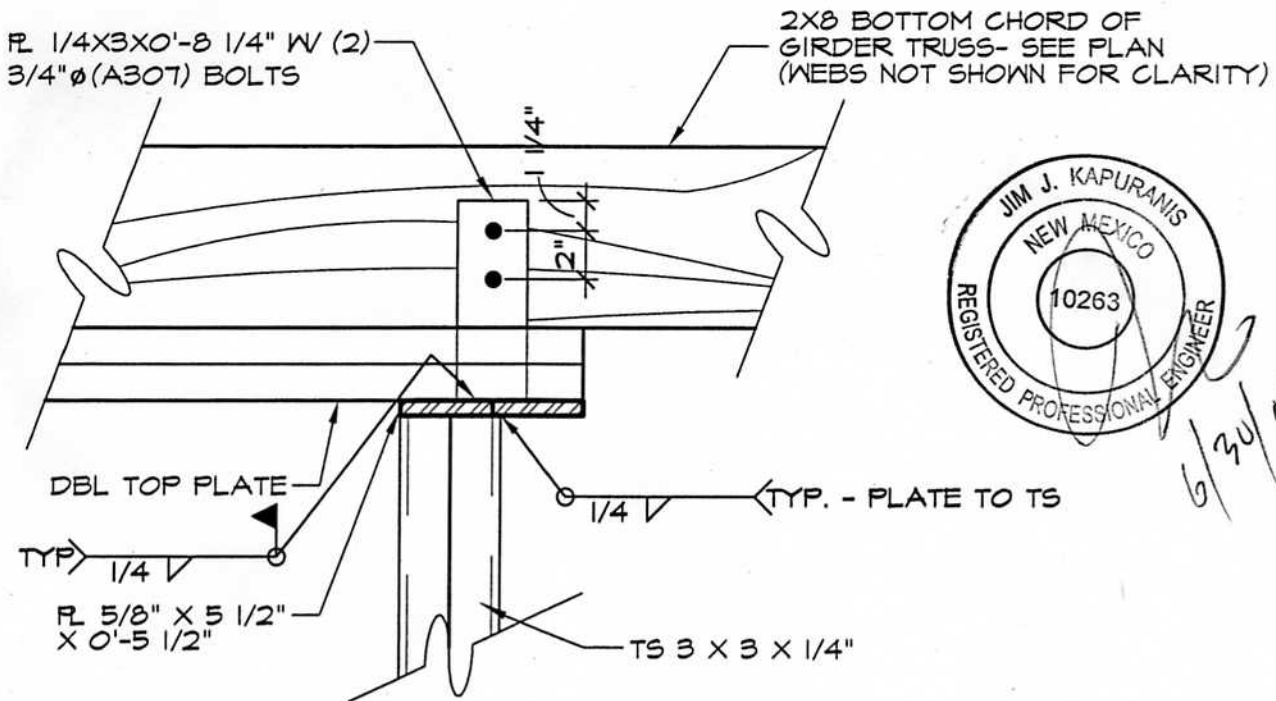


**B** DETAIL

NTS



6/30/05

**C** ELEVATION

1 1/2" = 1'-0"

\* HEADERS NOT SHOWN FOR CLARITY