

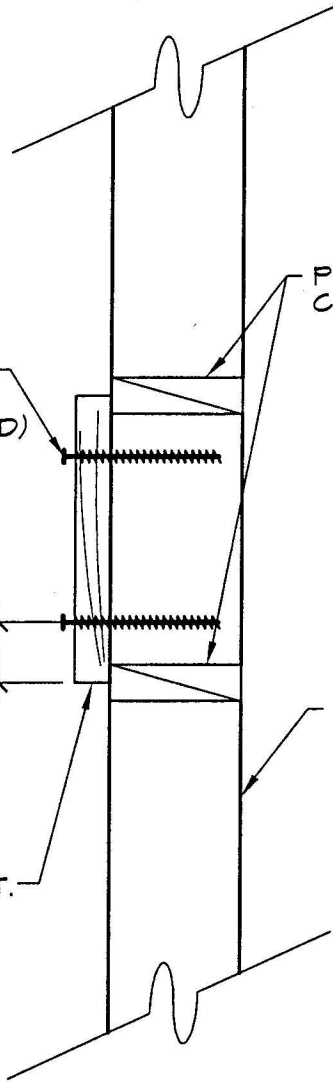
(2) 1/2"Ø X 6" LAG  
BOLTS @ EACH STUD  
(16" O.C.)  
(PILOT DRILL AS REQ'D)

PROVIDE 2X  
CONT. BLOCKING

2 1/2" TYP.

2X6 HF#2  
WOOD STUDS  
-SEE PLAN

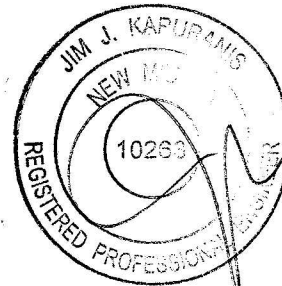
2X12 HF#2 CONT.  
WOOD LEDGER



# D LEDGER DETAIL

1 1/2" = 1'-0"

\* JOISTS NOT SHOWN FOR CLARITY - SEE PLAN



6/30/05